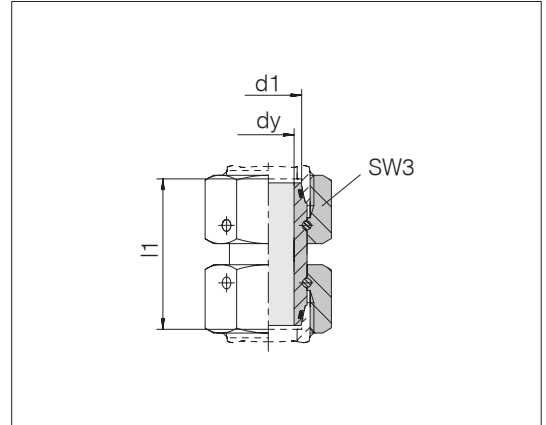


Swivel unions

With taper and O-ring
fit in bore type
W DIN 3861/ISO 8434-1

Standard O-ring material is FKM



Series	Pressure	dy	l1	SW3	kg/100 ca.	Order-No.	Designation
Tube OD d1							
L 6	PN 500	2.5	33.5	14	2.9	1178342058	24-SW2OS-L6-CP1
L 6	PN 500	2.5	36	14	3.0	1178352058	24-SW2OS-L6-CP2
L 6	PN 500	2.5	39	14	3.1	1178002058	24-SW2OS-L6 ¹⁾
L 8	PN 500	4.5	33.5	17	4.4	1178852058	24-SW2OS-L8-CP1
L 8	PN 500	4.5	36	17	4.6	1178372058	24-SW2OS-L8-CP2
L 8	PN 500	4.5	39.5	17	4.6	1178012058	24-SW2OS-L8 ¹⁾
L 10	PN 500	6	34	19	5.5	1178472058	24-SW2OS-L10-CP1
L 10	PN 500	6	37	19	5.9	1178382058	24-SW2OS-L10-CP2
L 10	PN 500	6	39.5	19	6.0	1178022058	24-SW2OS-L10 ¹⁾
L 12	PN 400	8	34	22	7.4	1178752058	24-SW2OS-L12-CP1
L 12	PN 400	8	37	22	7.7	1178392058	24-SW2OS-L12-CP2
L 12	PN 400	8	39.5	22	7.9	1178032058	24-SW2OS-L12 ¹⁾
L 15	PN 400	10	40	27	14.3	1178442058	24-SW2OS-L15-CP12
L 15	PN 400	10	42.5	27	14.8	1178042058	24-SW2OS-L15 ¹⁾
L 18	PN 400	13	39	32	17.6	1178452058	24-SW2OS-L18-CP1
L 18	PN 400	13	42.5	32	18.3	1178802058	24-SW2OS-L18-CP2
L 18	PN 400	13	45	32	18.8	1178052058	24-SW2OS-L18 ¹⁾
L 22	PN 250	17	44	36	24.4	1178652058	24-SW2OS-L22-CP1
L 22	PN 250	17	46.5	36	25.1	1178812058	24-SW2OS-L22-CP2
L 22	PN 250	17	49.5	36	25.6	1178062058	24-SW2OS-L22 ¹⁾
L 28	PN 250	22	48	41	31.2	1178482058	24-SW2OS-L28-CP12
L 28	PN 250	22	51.5	41	31.7	1178072058	24-SW2OS-L28 ¹⁾
L 35	PN 250	28	52	50	45.1	1178822058	24-SW2OS-L35-CP1
L 35	PN 250	28	57.5	50	48.3	1178832058	24-SW2OS-L35-CP2
L 35	PN 250	28	61	50	49.8	1178082058	24-SW2OS-L35 ¹⁾
L 42	PN 250	34	57.5	60	74.6	1178842058	24-SW2OS-L42-CP12
L 42	PN 250	34	62.5	60	78.1	1178092058	24-SW2OS-L42 ¹⁾

¹⁾ Standard size

Example for comp. :
GZ06LVT

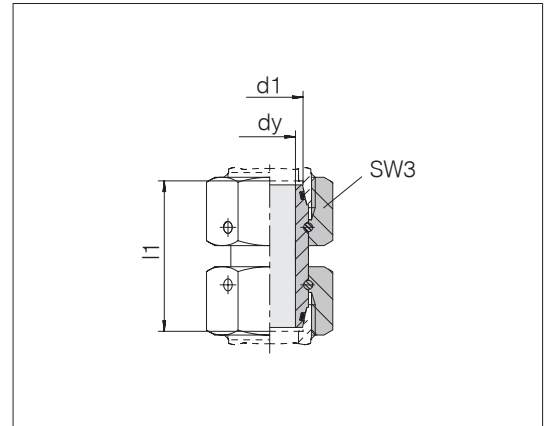
Continued on following page



Swivel unions

With taper and O-ring
fit in bore type
W DIN 3861/ISO 8434-1

Standard O-ring material is FKM



Series	Tube OD	Pressure	dy	l1	SW3	kg/100 ca.	Order-No.	Designation
S	6	PN 800	2.5	33	17	4.2	1178862058	24-SW2OS-S6-CP1
S	6	PN 800	2.5	39	17	4.6	1178872058	24-SW2OS-S6-CP2
S	6	PN 800	2.5	40.5	17	4.7	1178102058	24-SW2OS-S6 ¹⁾
S	8	PN 800	4	34	19	5.6	1178882058	24-SW2OS-S8-CP1
S	8	PN 800	4	39	19	6.0	1178892058	24-SW2OS-S8-CP2
S	8	PN 800	4	40.5	19	6.1	1178112058	24-SW2OS-S8 ¹⁾
S	10	PN 800	6	35	22	7.7	1178902058	24-SW2OS-S10-CP1
S	10	PN 800	6	43.5	22	8.5	1178122058	24-SW2OS-S10-CP2 ¹⁾
S	12	PN 630	8	38	24	9.7	1178912058	24-SW2OS-S12-CP1
S	12	PN 630	8	44	24	10.4	1178132058	24-SW2OS-S12-CP2 ¹⁾
S	14	PN 630	9	41	27	14.4	1178922058	24-SW2OS-S14-CP1
S	14	PN 630	9	48.5	27	15.6	1178142058	24-SW2OS-S14-CP2 ¹⁾
S	16	PN 630	11	42	30	17.5	1178932058	24-SW2OS-S16-CP1
S	16	PN 630	11	49	30	18.6	1178152058	24-SW2OS-S16-CP2 ¹⁾
S	20	PN 420	14	48	36	26.1	1178942058	24-SW2OS-S20-CP1
S	20	PN 420	14	60.5	36	29.6	1178162058	24-SW2OS-S20-CP2 ¹⁾
S	25	PN 420	16	73	46	63.1	1178712058	24-SW2OS-S25-LG73
S	25	PN 420	16	107	46	80.4	1178722058	24-SW2OS-S25-LG107
S	25	PN 420	18	54.5	46	51.7	1178952058	24-SW2OS-S25-CP1
S	25	PN 420	18	65.5	46	56.4	1178962058	24-SW2OS-S25-CP2
S	25	PN 420	18	67.5	46	56.9	1178172058	24-SW2OS-S25 ¹⁾
S	30	PN 420	23	62	50	63.1	1178702058	24-SW2OS-S30-CP1
S	30	PN 420	23	72.5	50	68.6	1178182058	24-SW2OS-S30-CP2 ¹⁾
S	38	PN 420	30	67	60	86.7	1178692058	24-SW2OS-S38-CP1
S	38	PN 420	30	83	60	99.6	1178192058	24-SW2OS-S38-CP2 ¹⁾

¹⁾ Standard size